

# MG2000 MOTORGEARBOX



The MG2000 is a compact yet powerful motorgearbox unit. The aluminium construction gives a finished weight of the motor and gearbox of approximately 13kg (29lbs).

- Standard speeds - 50Hz: 1.3, 2.0, 3.0, 4.0 r.p.m.
- Max output torque 250Nm
- Dual output shafts for balanced performance
- Full range of 50 Hz European motors
- Three stage hardened gear reduction to provide maximum output power
- Needle bearings & oil seals fitted to all shafts to reduce wear and prolong life
- Limit switch assembly configurable to suit industry standard motor controls
- Synthetic lubricant for optimum efficiency and smooth operation
- User friendly adjustable travel limits with double safety switches providing the user with the most accurate adjustment and set-up
- Adjustable limit switch range of 26 and 98 turns of the output shaft to accommodate ventilation, screen and many other applications
- Accessories include:
  - chain couplings
  - flat galvanised mounting plate with adjuster bolts
  - raised galvanised mounting plate with fixing bolts

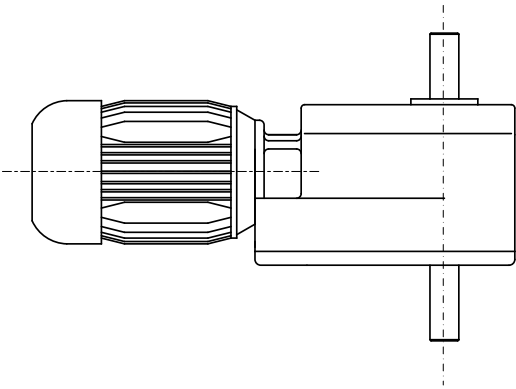


Datasheet Ref: 2020-2000-01

Climate Controls Ltd, Unit 7 Rocquaine Industrial Centre, St Peters, Guernsey, GY7 9HS T: +44 (0)1481 263860 E: mail@climate-controls.com

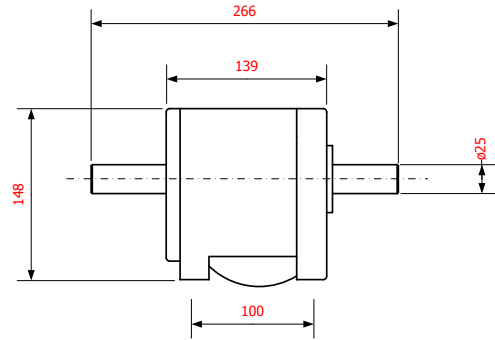
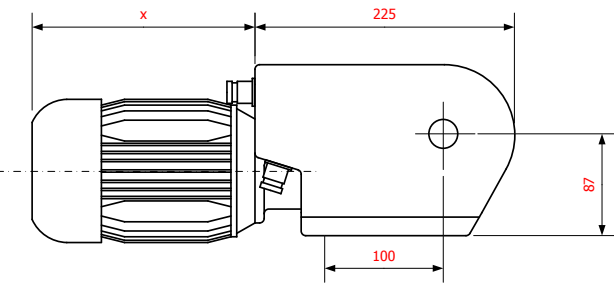


# MG2000 MOTORGEARBOX



The "x" dimension for the electric motor depends on which one is fitted. Motor sizes are shown below:

220 / 240 volt, 50Hz, 63 frame	197mm
220 / 240 volt, 50Hz, 71 frame	220mm
USA / Canadian spec motors	236mm
24 volt D.C.	229mm



## SPECIFICATIONS

	50Hz	50Hz	50Hz	50Hz
Speed	2.0 r.p.m.	2.0 r.p.m.	3.0 r.p.m.	4.0 r.p.m.
Power	0.37 kW - 1Ø	0.18 kW - 3Ø	0.18 kW - 3Ø	0.37 kW - 3Ø
Torque	250 Nm	250 Nm	200 Nm	180 Nm
Weight	15 kg	13 kg	13 kg	13 kg
Motor	IEC 63 / 71 frame, B14 flange, 50Hz			

Datasheet Ref: 2020-2000-01

Climate Controls Ltd, Unit 7 Rocquaine Industrial Centre, St Peters, Guernsey, GY7 9HS T: +44 (0)1481 263860 E: mail@climate-controls.com